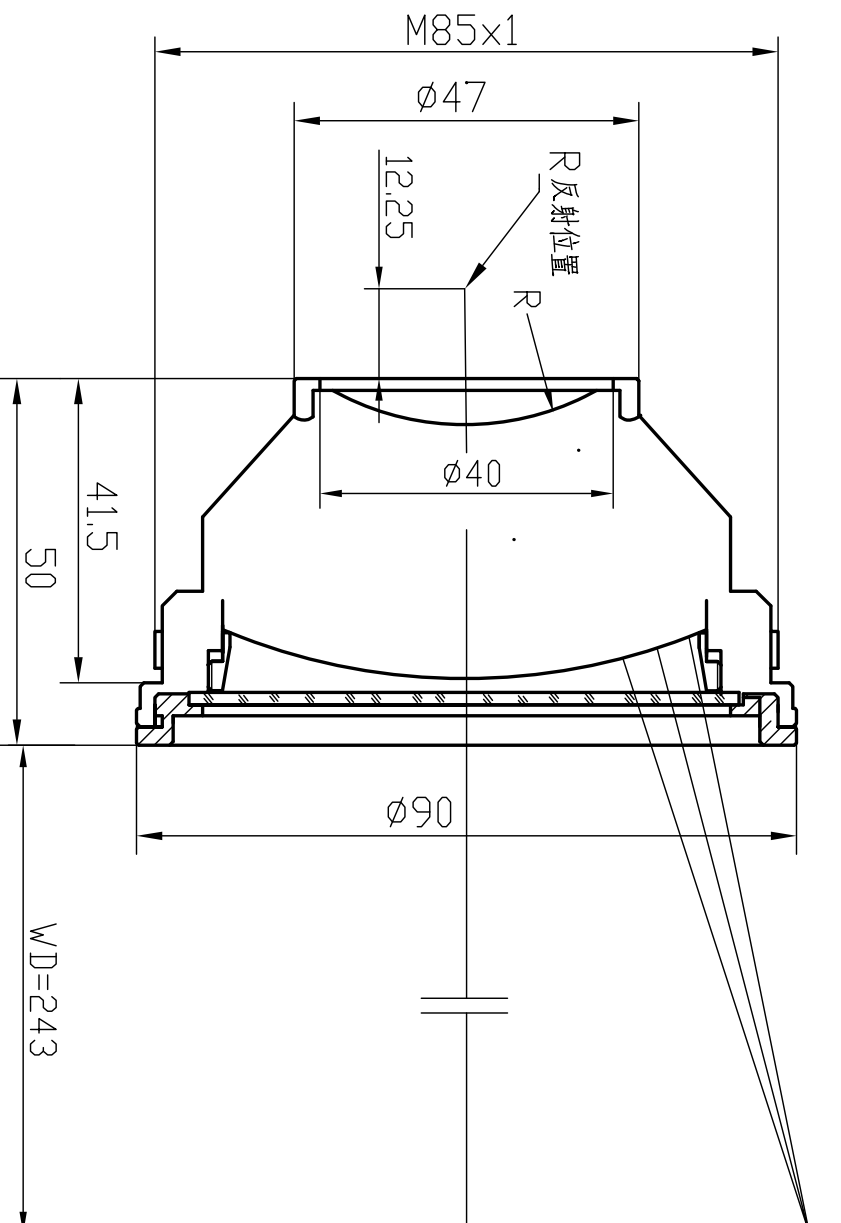


-,  $f=210\text{mm}$  F-Theta lens  $\lambda=355\text{nm}$



Specification	
EFL	210mm
WD	243mm
Wavelength	$\lambda=355\text{nm}$
scan angle	$\pm 28^\circ$
scan length	150mmX150mm
entrance beam diameter $\phi$	8mm
Center point diameter ( $1/e^2$ )	17 $\mu\text{m}$
Edge point diameter ( $1/e^2$ )	18 $\mu\text{m}$
m1	13
m2	16
Transmission >	98%
Thread	M85X1
With protective window	Yes