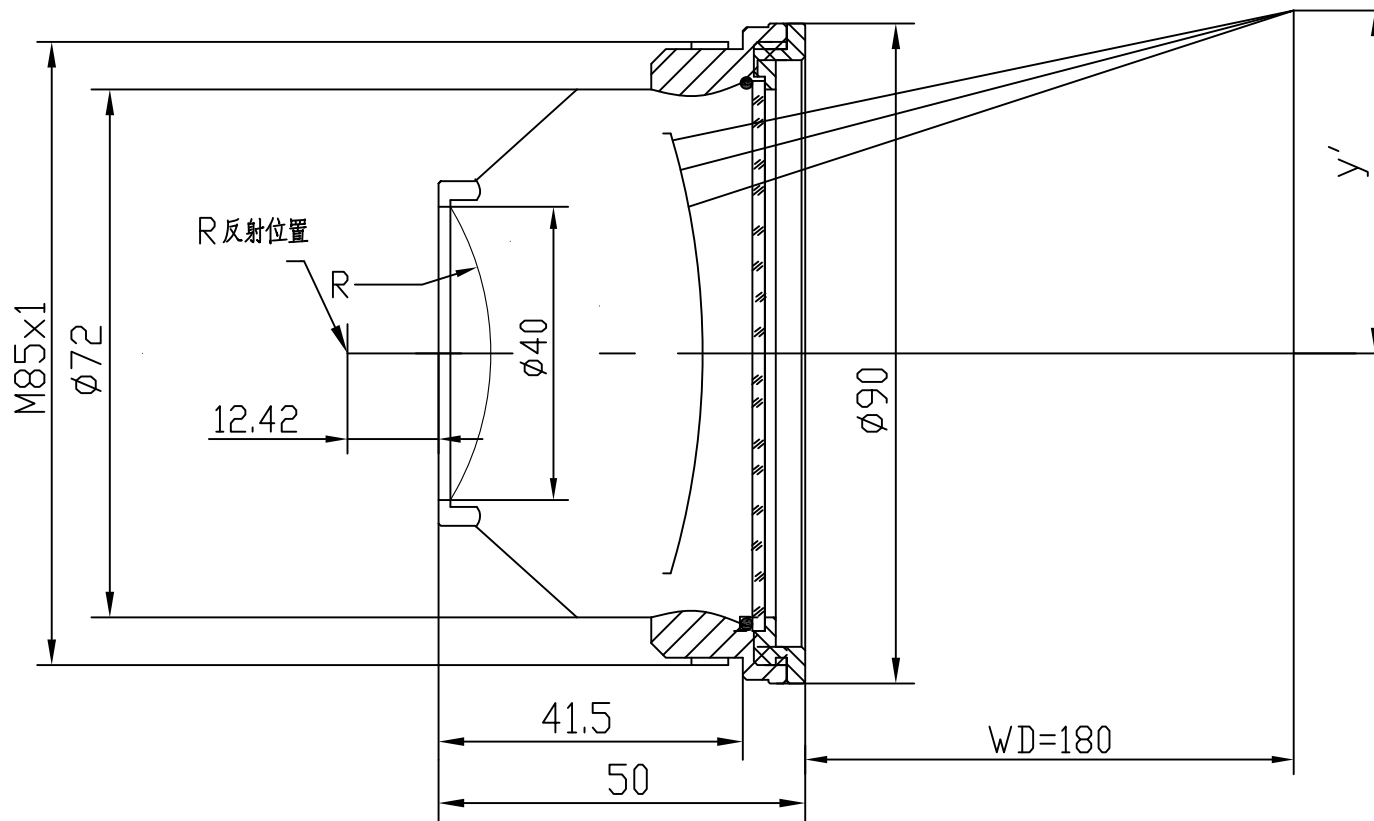


$f=160\text{mm}$ F-Theta lens $\lambda=532\text{nm}$



Specification	
	160mm
WD	180mm
Wavelength	$\lambda=532\text{nm}$
scan angle	$\pm 28^\circ$
scan length	110mmX110mm
entrance beam diameter d	12mm
Center point diameter (1/e ²)	13 μm
Edge point diameter (1/e ²)	14 μm
m1	16-20
m2	10-12
Transmission >	97%
Thread	M85X1
With protective window	yes